



Motion Feedthroughs

Rotary Motion Type



Features

- * Continuous rotary motion
- * Rotary position lock
- * 1.33 and 2.75 inch CF Flange size
- * Manual actuators
- * UHV compatible materials
- * Welded bellows seal
- * Bakeable to 100 °C

Specifications

Material :

Body : Aluminum

Flange : S.S 304

Bellows : AM350

Torque : < 0.4 N-M maximum

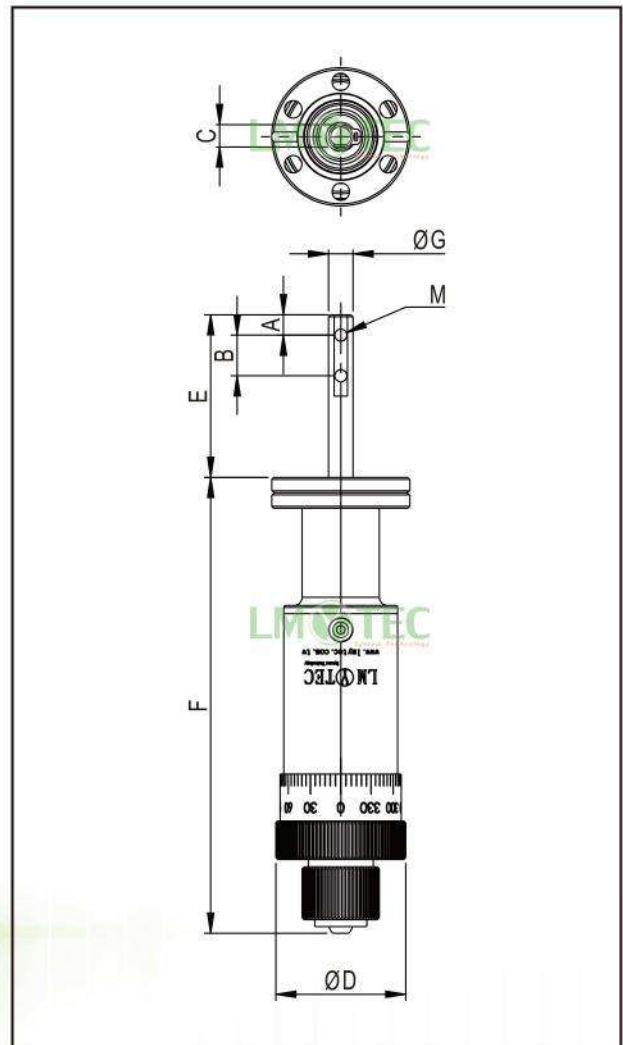
Axial load : < 2.7 kg maximum

Lateral load : < 4.5 kg maximum

Dimensions : See table

Vacuum Range : 1 atm to 10⁻¹¹ Torr

Temperature Range : -20 °C to 100 °C





Motion Feedthroughs

Dimension

LMYTEC reserve the right to change the specification without notice

Unit:mm

| Flang Size | Model No. | A | B | C | ∅D | E | F | ∅G | M |
|------------|------------|---|----|-----|----|------|-------|----|---------|
| CF 1.33" | LM F300-RE | 5 | 10 | 5.5 | 32 | 40 | 112.2 | 6 | M3XP0.5 |
| CF 2.75" | LM F310-RE | 5 | 10 | 5.5 | 32 | 39.5 | 112.7 | 6 | M3XP0.5 |

LIMO SYSTEM TECHNOLOGY CO., LTD.





Motion Feedthroughs

Linear Motion Type



Features

- * Linear position lock
- * 1.33 and 2.75 inch CF Flange size
- * Manual actuators
- * UHV compatible materials
- * Welded bellows seal
- * Bakeable to 100 °C (Stainless steel to 230 °C)

Specifications

Material :

Body : Aluminum / S.S 304

Flange : S.S 304

Bellows : AM350

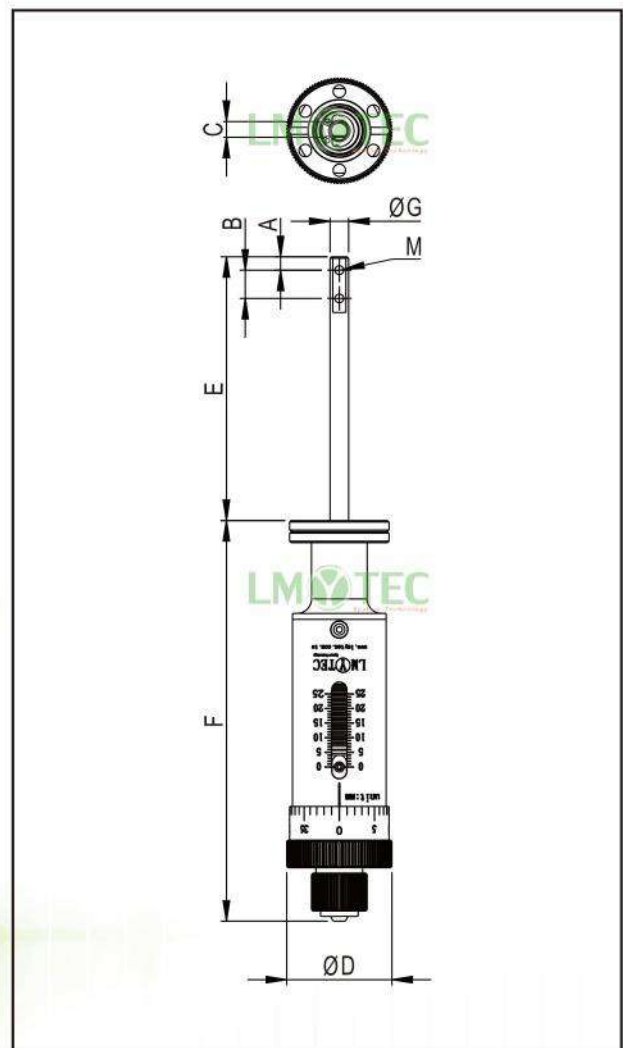
Axial load : < 2.3 kg maximum

Lateral load : < 2.3 kg (stroke 50 mm)

Dimensions : See table

Vacuum Range : 1 atm to 10⁻¹¹ Torr

Temperature Range : -20 °C to 100 °C





Dimension

LMYTEC reserve the right to change the specification without notice

Unit:mm

| Flang Size | Model No. | Stroke | A | B | C | ØD | E Min - Max | | F | ØG | M |
|------------|----------------|--------|-----|-----|-----|-----|----------------|-----|-------|----|---------|
| CF 1.33" | LM F30020-LE-L | 25 | 4.6 | 9.7 | 5.4 | 6.4 | 90 | 115 | 137 | 36 | M3XP0.5 |
| CF 2.75" | LM F31020-LE-L | 25 | 4.6 | 9.7 | 5.4 | 6.4 | 90 | 115 | 137.6 | 36 | M3XP0.5 |
| CF 1.33" | LM F30020-LE-H | 25 | 4.6 | 9.7 | 5.4 | 6.4 | 90 | 115 | 137 | 36 | M3XP0.5 |
| CF 2.75" | LM F31020-LE-H | 25 | 4.6 | 9.7 | 5.4 | 6.4 | 90 | 115 | 137.6 | 36 | M3XP0.5 |

* LE : Room Temperature Type / HLE : High Temperature Type





Motion Feedthroughs

Push-Pull Motion Type



Features

- * Linear position lock
- * 1.33 inch CF Flange size
- * Manual actuators
- * UHV compatible materials
- * Welded bellows seal
- * Bakeable to 100 °C

Specifications

Material :

Body : Aluminum

Flange : S.S 304

Bellows : AM350

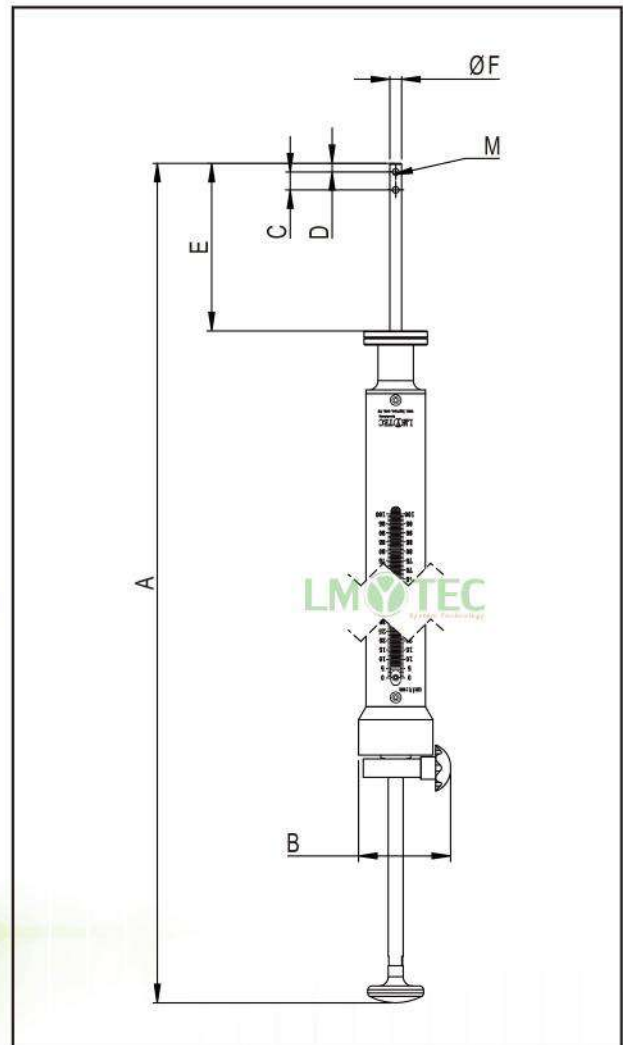
Axial load : < 4.5 kg maximum

Lateral load : < 2.3 kg (stroke 50 mm)

Dimensions : See table

Vacuum Range : 1 atm to 10⁻¹¹ Torr

Temperature Range : -20 °C to 100 °C





Dimension

LMYTEC reserve the right to change the specification without notice

Unit:mm

| Flang Size | Model No. | Stroke | A | B | C | D | E Min - Max | | ØF | M |
|------------|------------------|--------|-------|------|-----|-----|----------------|-----|-----|-----------|
| CF 1.33" | LM F30030-LPPE-L | 50 | 362.8 | 51.5 | 9.7 | 4.6 | 90 | 140 | 6.4 | #6-32 UNC |
| | LM F30050-LPPE-L | 100 | 463.5 | 51.5 | 9.7 | 4.6 | 90 | 190 | 6.4 | #6-32 UNC |





Motion Feedthroughs

Rack & Pinion Motion Type



Features

- * Linear position lock
- * 1.33 inch CF Flange size
- * Manual actuators
- * UHV compatible materials
- * Welded bellows seal
- * Bakeable to 100 °C

Specifications

Material :

Body : Aluminum

Flange : S.S 304

Bellows : AM350

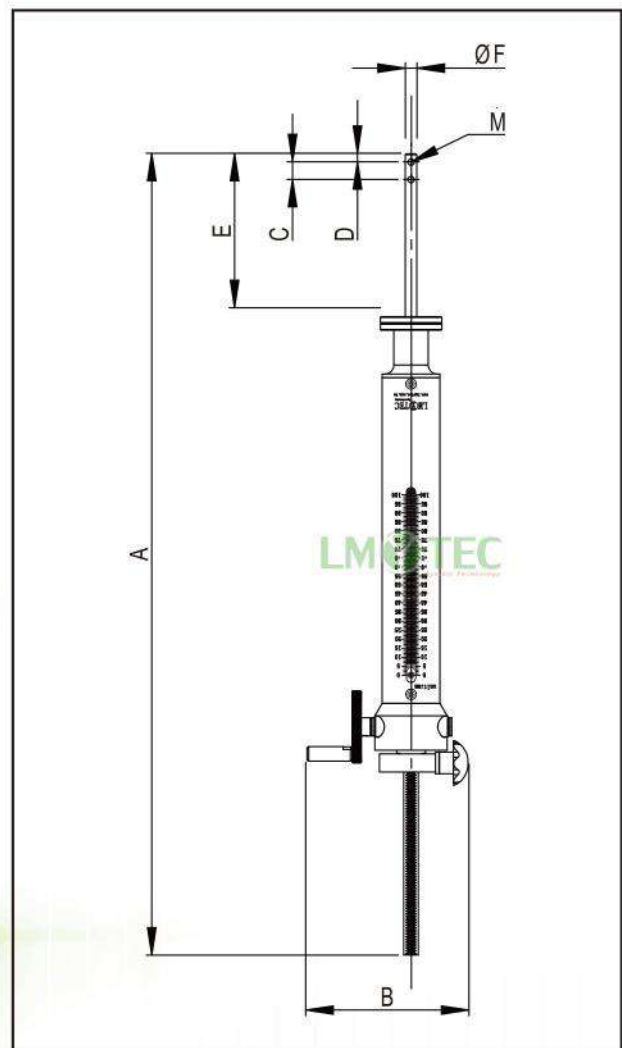
Axial load : < 4.5 kg maximum

Lateral load : < 2.3 kg (stroke 50 mm)

Dimensions : See table

Vacuum Range : 1 atm to 10⁻¹¹ Torr

Temperature Range : -20 °C to 100 °C





Dimension

LMYTEC reserve the right to change the specification without notice

Unit:mm

| Flang Size | Model No. | Stroke | A | B | C | D | E Min - Max | | ØF | M |
|------------|-----------------|--------|-------|------|-----|-----|----------------|-----|-----|-----------|
| CF 1.33" | LM F30030-LGE-L | 50 | 342.8 | 89.2 | 9.7 | 4.6 | 90 | 140 | 6.4 | #6-32 UNC |
| | LM F30050-LGE-L | 100 | 443.5 | 89.2 | 9.7 | 4.6 | 90 | 190 | 6.4 | #6-32 UNC |



Motion Feedthroughs

Heavy Duty Motion Type



Features

- * 25 mm to 100 mm linear travel
- * Solenoid air pressure < 100 PSIG
- * Pneumatic actuators
- * UHV compatible materials
- * Welded bellows seal
- * Bakeable to 100 °C

Specifications

Material :

Body : Aluminum

Flange : S.S 304

Bellows : AM350 / S.S316L

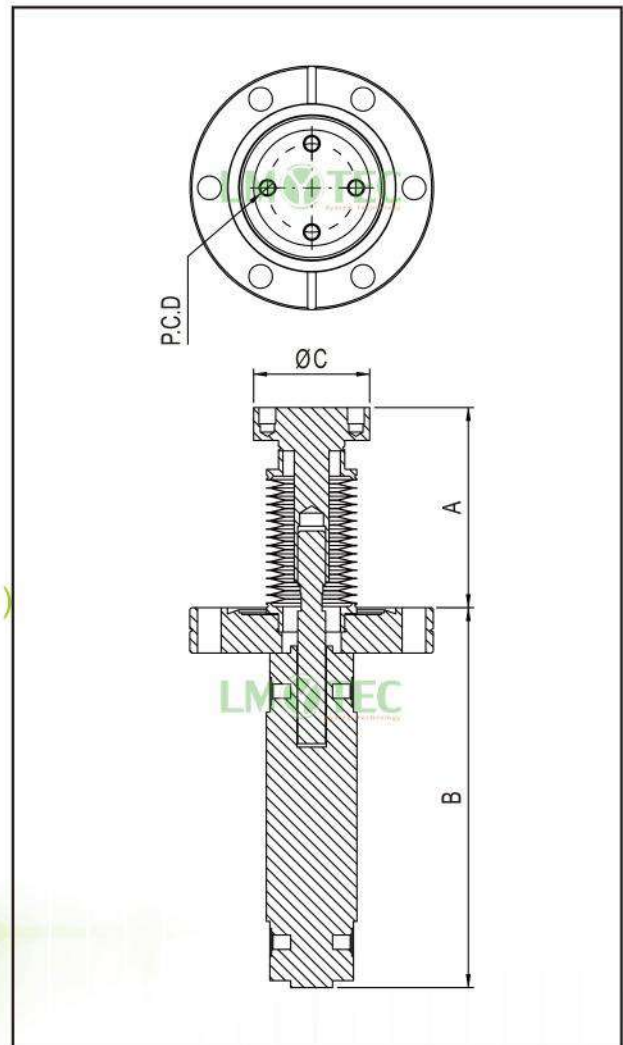
Axial load : < 9.1 kg maximum

Lateral load : < 9.1 kg (stroke 100 mm)

Dimensions : See table

Vacuum Range : 1 atm to 10⁻¹¹ Torr

Temperature Range : -20 °C to 100 °C





Dimension

LMYTEC reserve the right to change the specification without notice

Unit:mm

| Stroke | Model No. | A | B | ΦC | P.C.D |
|--------|---------------|-------|-----|------|-------|
| 25 | LM F31020-LCE | 57.4 | 109 | 33.3 | 25.4 |
| 50 | LM F31030-LCE | 95.8 | 134 | 33.3 | 25.4 |
| 100 | LM F31050-LCE | 172.6 | 184 | 33.3 | 25.4 |



Motion Feedthroughs

Rotary-Linear Motion Type



Features

- * 360° rotary motion
- * 25.4 mm linear travel
- * Rotary position lock
- * 1.33 and 2.75 inch bore diameters
- * Manual actuators
- * UHV compatible materials
- * Welded bellows seal
- * Bakeable to 100 °C

Specifications

Material :

Body : Aluminum

Flange : S.S 304

Bellows : AM350 / S.S316L

Torque : < 0.4 N-M maximum

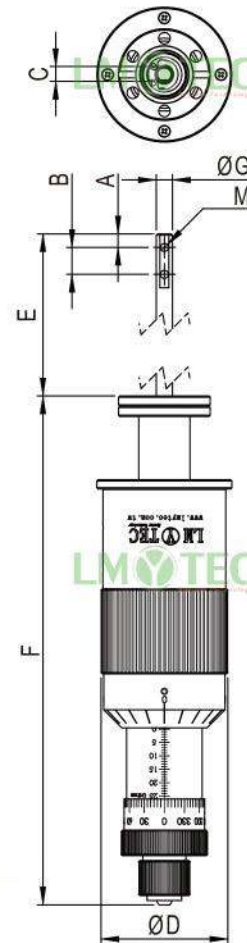
Axial load : < 1.8 kg maximum

Lateral load : < 1.8 kg (Stroke 50 mm)

Dimensions : See table

Vacuum Range : 1 atm to 10⁻¹¹ Torr

Temperature Range : -20 °C to 100 °C





Dimension

LMYTEC reserve the right to change the specification without notice

Unit:mm

| Flang Size | Model No. | Stroke | A | B | C | Ø D | E Min - Max | | F | Ø G | M |
|------------|---------------|--------|---|----|-----|-----|----------------|-----|-------|-----|---------|
| CF 1.33" | LM F30020-LRE | 25 | 5 | 10 | 5.5 | 47 | 90 | 115 | 188.7 | 6 | M3XP0.5 |
| CF 2.75" | LM F31020-LRE | 25 | 5 | 10 | 5.5 | 47 | 90 | 115 | 189.2 | 6 | M3XP0.5 |