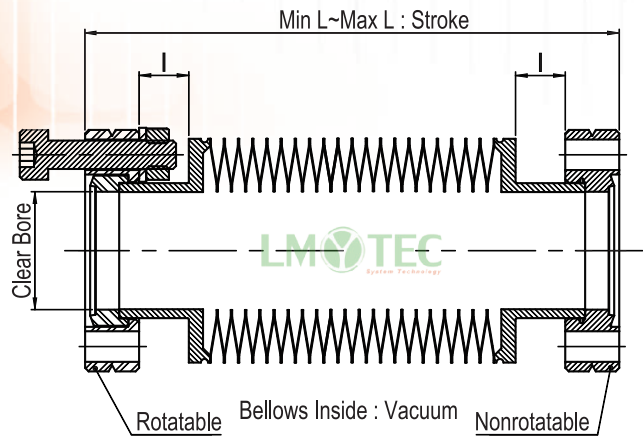




WB-CF Flange Nut Type

Material : Flange : S.S 304 Bellows : AM350(E)/316L(D)



LMYTEC reserve the right to change the specification without notice

Unit:mm

Flang Size	Model No.	stroke	Clear Bore	I	Min L	Max L
CF 1.33"	LM W30010-NE	12	16.5	7	41	53
	LM W30020-NE	25	16.5	7	47	72
	LM W30030-NE	50	16.5	7	59	109
CF 2.75"	LM W31010-NE	12	34.8	15	68	80
	LM W31020-NE	25	34.8	15	74	99
	LM W31030-NE	50	34.8	15	86	136
	LM W31050-NE	100	34.8	15	110	210
CF 4.5"	LM W32010-NE	12	59.5	13	77	89
	LM W32020-NE	25	59.5	13	83	108
	LM W32030-NE	50	59.5	13	95	145
	LM W32050-NE	100	59.5	13	119	219
CF 6"	LM W33010-NE	12	97.6	12	86	98
	LM W33020-NE	25	97.6	12	92	117
	LM W33030-NE	50	97.6	12	104	154
	LM W33050-NE	100	97.6	12	128	228
CF 8"	LM W34010-NE	12	146.4	12	90	102
	LM W34020-NE	25	146.4	12	96	121
	LM W34030-NE	50	146.4	12	108	158
	LM W34050-NE	100	146.4	12	132	232
CF 10"	LM W35010-ND	12	197.2	12	95	107
	LM W35020-ND	25	197.2	12	101	126
	LM W35030-ND	50	197.2	12	113	163

Vacuum Bellows

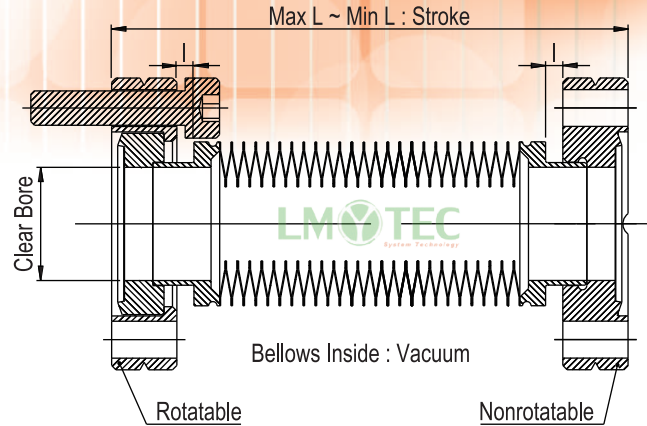
LIMO SYSTEM TECHNOLOGY CO., LTD.





WB-CF Flange Screw Type

Material : Flange : S.S 304 Bellows : AM350(E)/316L(D)



LMYTEC reserve the right to change the specification without notice

Unit:mm

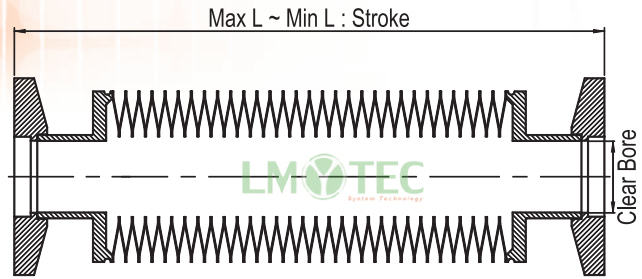
Flang Size	Model No.	stroke	Clear Bore	I	Min L	Max L
CF 1.33"	LM W30010-SE	12	8.6	8	39	51
	LM W30020-SE	25	8.6	8	48	73
CF 2.75"	LM W31010-SE	12	34.8	5	48	60
	LM W31020-SE	25	34.8	5	54	79
	LM W31030-SE	50	34.8	5	66	116
	LM W31050-SE	100	34.8	5	95	195
CF 4.5"	LM W32010-SE	12	60.2	5	57	69
	LM W32020-SE	25	60.2	5	63	88
	LM W32030-SE	50	60.2	5	75	125
	LM W32050-SE	100	60.2	5	99	199
CF 6"	LM W33010-SE	12	84.9	2	66	78
	LM W33020-SE	25	84.9	2	72	97
	LM W33030-SE	50	84.9	2	84	134
	LM W33050-SE	100	84.9	2	108	208
CF 8"	LM W34010-SE	12	120	10	70	82
	LM W34020-SE	25	120	10	76	101
	LM W34030-SE	50	120	10	88	138
	LM W34050-SE	100	120	10	112	212
CF 10"	LM W35010-SD	12	180	2	75	87
	LM W35020-SD	25	180	2	81	106
	LM W35030-SD	50	180	2	93	143





WB-KF Flange Type

Material : Flange : S.S 304 Bellows : AM350(E)/316L(D)



Bellows Inside : Vacuum

LMYTEC reserve the right to change the specification without notice

Unit:mm

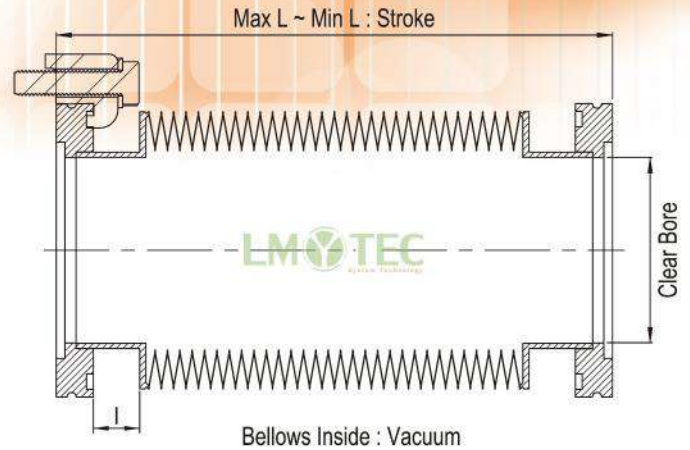
Flang Size	Model No.	stroke	Clear Bore	Min L	Max L
KF16	LM W11010-CE	12	16	36	48
	LM W11020-CE	25	16	42	67
	LM W11030-CE	50	16	54	104
	LM W11050-CE	100	16	80	180
KF25	LM W12010-CE	12	22.4	36	48
	LM W12020-CE	25	22.4	42	67
	LM W12030-CE	50	22.4	54	104
	LM W12050-CE	100	22.4	82	182
KF40	LM W13010-CE	12	34.9	36	48
	LM W13020-CE	25	34.9	42	67
	LM W13030-CE	50	34.9	54	104
	LM W13050-CE	100	34.9	82	182
KF50	LM W14010-CE	12	47.6	36	48
	LM W14020-CE	25	47.6	42	67
	LM W14030-CE	50	47.6	54	104
	LM W14050-CE	100	47.6	82	182





WB-ISO Flange Clamp Series

Material : Flange : S.S 304 Bellows : AM350(E)/316L(D)



LMYTEC reserve the right to change the specification without notice

Unit:mm

Flang Size	Model No.	stroke	Clear Bore	l	Min L	Max L
ISO63	LM W20010-CE	12	59.5	20	80	92
	LM W20020-CE	25	59.5	20	86	111
	LM W20030-CE	50	59.5	20	98	148
	LM W20050-CE	100	59.5	20	122	222
ISO80	LM W21010-CE	12	72.2	17	80	92
	LM W21020-CE	25	72.2	17	86	111
	LM W21030-CE	50	72.2	17	98	148
	LM W21050-CE	100	72.2	17	122	222
ISO100	LM W22010-CE	12	97.6	17	80	92
	LM W22020-CE	25	97.6	17	86	111
	LM W22030-CE	50	97.6	17	98	148
	LM W22050-CE	100	97.6	17	122	222
ISO160	LM W23010-CD	12	146.4	17	80	92
	LM W23020-CD	25	146.4	17	86	111
	LM W23030-CD	50	146.4	17	98	148
	LM W23050-CD	100	146.4	17	122	222
ISO200	LM W24010-CD	12	197.2	17	80	92
	LM W24020-CD	25	197.2	17	86	111
	LM W24030-CD	50	197.2	17	98	148
	LM W24050-CD	100	197.2	17	122	222

Vacuum Bellows

LIMO SYSTEM TECHNOLOGY CO., LTD.



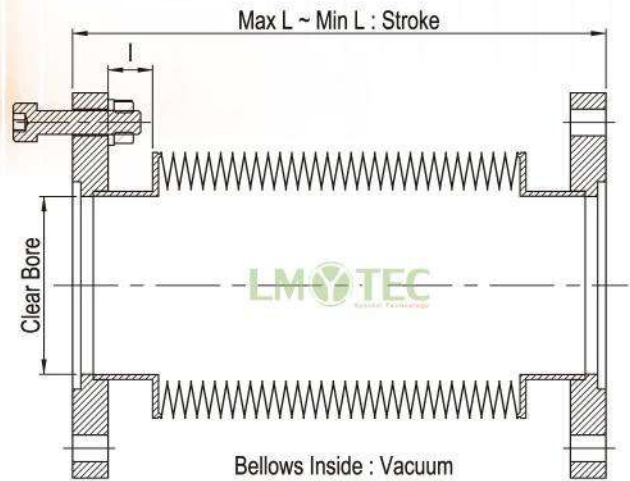
Email : service@lmytec.com.tw
WEB : www.lmytec.com.tw

LIMO SYSTEM TECHNOLOGY CO., LTD.
立盟系統科技股份有限公司



WB-ISO Flange Screw Series

Material : Flange : S.S 304 Bellows : AM350(E)/316L(D)



LMYTEC reserve the right to change the specification without notice

Unit:mm

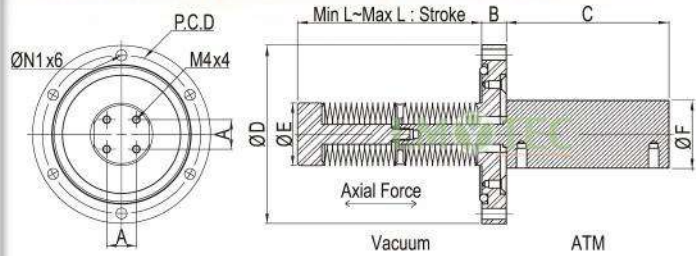
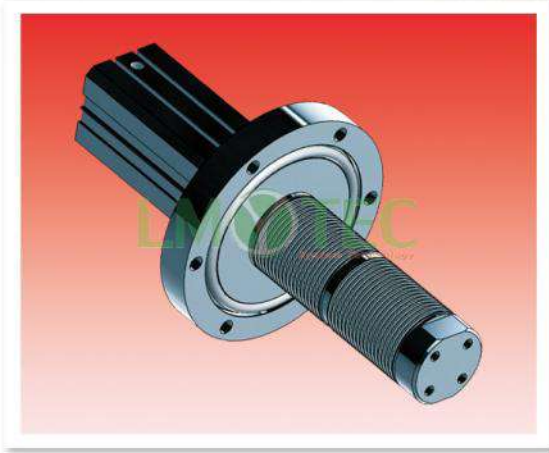
Flang Size	Model No.	stroke	Clear Bore	I	Min L	Max L
ISO63	LM W20010-BE	12	59.5	20	80	92
	LM W20020-BE	25	59.5	20	86	111
	LM W20030-BE	50	59.5	20	98	148
	LM W20050-BE	100	59.5	20	122	222
ISO80	LM W21010-BE	12	72.2	17	80	92
	LM W21020-BE	25	72.2	17	86	111
	LM W21030-BE	50	72.2	17	98	148
	LM W21050-BE	100	72.2	17	122	222
ISO100	LM W22010-BE	12	97.6	17	80	92
	LM W22020-BE	25	97.6	17	86	111
	LM W22030-BE	50	97.6	17	98	148
	LM W22050-BE	100	97.6	17	122	222
ISO160	LM W23010-BD	12	146.4	17	88	100
	LM W23020-BD	25	146.4	17	94	119
	LM W23030-BD	50	146.4	17	106	156
	LM W23050-BD	100	146.4	17	130	230
ISO200	LM W24010-BD	12	197.2	17	88	100
	LM W24020-BD	25	197.2	17	94	119
	LM W24030-BD	50	197.2	17	106	156
	LM W24050-BD	100	197.2	17	130	230





WB-Cylinder Series

Material : Flange : S.S 304 Bellows : AM350(E)/316L(D)



LMYTEC reserve the right to change the specification without notice

Unit:mm

缸徑	Model No.	stroke	P.C.D	ØN1	A	B	C	ØD	ØE	ØF	Min L	Max L	O-RING	Axial Force
20	LM W60020-SE	25	80	5.5	15	12	54.5	90	31.5	34	28	53	4060	23kg
	LM W60030-SE	50	80	5.5	15	12	79.5	90	31.5	34	44	94	4060	23kg
32	LM W61020-SE	25	90	6.5	20	15	59	100	44.5	44	28	53	4060	55kg
	LM W61030-SE	50	90	6.5	20	15	84	100	44.5	44	44	94	4060	55kg
50	LM W62020-SE	25	120	6.5	25	20	63.6	135	59.1	62	33	58	4095	125kg
	LM W62030-SE	50	120	6.5	25	20	88.6	135	59.1	62	50	100	4095	125kg

* Axial Force at 5kg / cm²

Vacuum Bellows

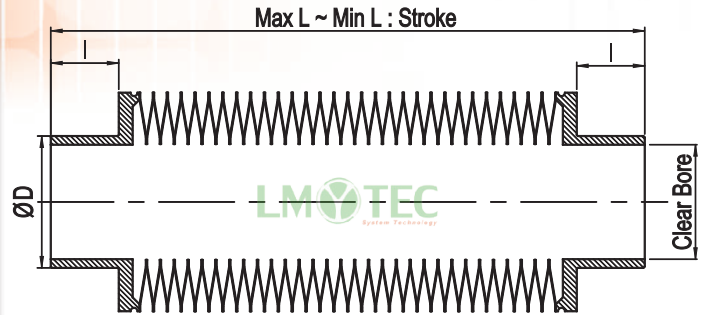
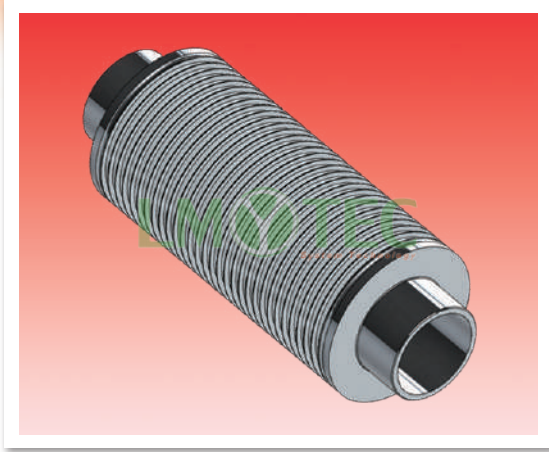
LIMO SYSTEM TECHNOLOGY CO., LTD.





WB-Tube End Type

Material : Flange : S.S 304 Bellows : AM350(E)/316L(D)



Bellows Inside : Vacuum

LMYTEC reserve the right to change the specification without notice

Unit:mm

Tube End Size	Model No.	stroke	Clear Bore	ØD	I	Min L	Max L
Ø19	LM W50010-E	12	16.5	19	9.8	32	44
	LM W50020-E	25	16.5	19	9.8	37	62
	LM W50030-E	50	16.5	19	9.8	50	100
Ø34.1	LM W51010-E	12	34.8	38.1	23.2	59	71
	LM W51020-E	25	34.8	38.1	23.2	65	90
	LM W51030-E	50	34.8	38.1	23.2	77	127
	LM W51050-E	100	34.8	38.1	23.2	100	200
Ø63.5	LM W52010-E	12	59.5	63.5	22.5	62	74
	LM W52020-E	25	59.5	63.5	22.5	67	92
	LM W52030-E	50	59.5	63.5	22.5	80	130
	LM W52050-E	100	59.5	63.5	22.5	103	203
Ø101.6	LM W53010-E	12	97.6	101.6	22.5	67	79
	LM W53020-E	25	97.6	101.6	22.5	74	99
	LM W53030-E	50	97.6	101.6	22.5	85	135
	LM W53050-E	100	97.6	101.6	22.5	110	210
Ø152.4	LM W54010-E	12	146.4	152.4	24.5	70	82
	LM W54020-E	25	146.4	152.4	24.5	77	102
	LM W54030-E	50	146.4	152.4	24.5	89	139
	LM W54050-E	100	146.4	152.4	24.5	112	212
Ø203.2	LM W55010-D	12	197.2	203.2	27	76	88
	LM W55020-D	25	197.2	203.2	27	82	107
	LM W55030-D	50	197.2	203.2	27	94	144

