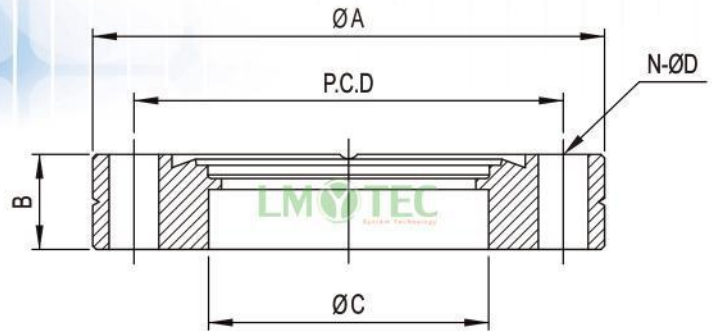




CF Bored Flange Fixed Series

Material : S.S 304



LMYTEC reserve the right to change the specification without notice

Unit:mm

	Size	Model No.	Ø A	B	P.C.D	Ø C	N-ØD
Fixed Thru hole	CF 1.33"	PMCF19	34	7.6	27	19.1	6-4.3
	CF 2.75"	PMCF38	70	13	58.7	38.3	6-6.8
	CF 2.75"	PMCF41	70	13	58.7	41.3	6-6.8
	CF 4.5"	PMCF50	114	17.5	92.1	51.1	8-8.4
	CF 4.5"	PMCF64	114	17.5	92.1	63.7	8-8.4
	CF 4.5"	PMCF70	114	17.5	92.1	70	8-8.4
	CF 6"	PMCF100	152	20	130.2	101.9	16-8.4
	CF 8"	PMCF150	203	22	181.2	152.6	20-8.4
	CF 10"	PMCF200	254	24.5	231.9	203.5	24-8.4
Fixed Tapped hole	CF 1.33"	PMCF19T	34	7.6	27	19.1	6-M4
	CF 2.75"	PMCF38T	70	13	58.7	38.3	6-M6
	CF 2.75"	PMCF41T	70	13	58.7	41.3	6-M6
	CF 4.5"	PMCF50T	114	17.5	92.1	51.1	8-M8
	CF 4.5"	PMCF64T	114	17.5	92.1	63.7	8-M8
	CF 4.5"	PMCF70T	114	17.5	92.1	70	8-M8
	CF 6"	PMCF100T	152	20	130.2	101.9	16-M8
	CF 8"	PMCF150T	203	22	181.2	152.6	20-M8
	CF 10"	PMCF200T	254	24.5	231.9	203.5	24-M8

Vacuum Flange

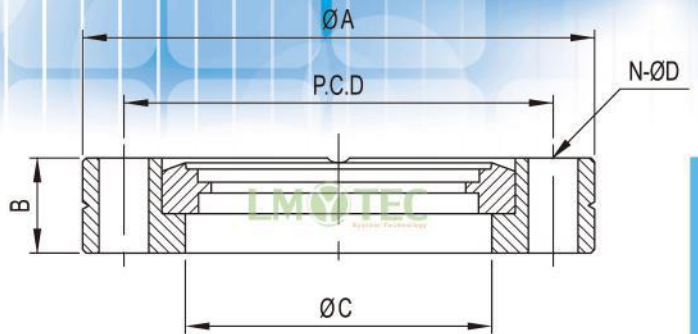
LIMO SYSTEM TECHNOLOGY CO., LTD.





CF Bored Flange Rotatable Series

Material : S.S 304



LMYTEC reserve the right to change the specification without notice

Unit:mm

	Size	Model No.	Ø A	B	P.C.D	Ø C	N-ØD
Rotatable Thru hole	CF 1.33"	PMCFR19	34	7.6	27	19.1	6-4.3
	CF 2.75"	PMCFR38	70	13	58.7	38.3	6-6.8
	CF 2.75"	PMCFR41	70	13	58.7	41.3	6-6.8
	CF 4.5"	PMCFR50	114	17.5	92.1	51.1	8-8.4
	CF 4.5"	PMCFR64	114	17.5	92.1	63.7	8-8.4
	CF 4.5"	PMCFR70	114	17.5	92.1	70	8-8.4
	CF 6"	PMCFR100	152	20	130.2	101.9	16-8.4
	CF 8"	PMCFR150	203	22	181.2	152.6	20-8.4
	CF 10"	PMCFR200	254	24.5	231.9	203.5	24-8.4
Rotatable Tapped hole	CF 1.33"	PMCFR19T	34	7.6	27	19.1	6-M4
	CF 2.75"	PMCFR38T	70	13	58.7	38.3	6-M6
	CF 2.75"	PMCFR41T	70	13	58.7	41.3	6-M6
	CF 4.5"	PMCFR50T	114	17.5	92.1	51.1	8-M8
	CF 4.5"	PMCFR64T	114	17.5	92.1	63.7	8-M8
	CF 4.5"	PMCFR70T	114	17.5	92.1	70	8-M8
	CF 6"	PMCFR100T	152	20	130.2	101.9	16-M8
	CF 8"	PMCFR150T	203	22	181.2	152.6	20-M8
	CF 10"	PMCFR200T	254	24.5	231.9	203.5	24-M8

Vacuum Flange

LIMO SYSTEM TECHNOLOGY CO., LTD.



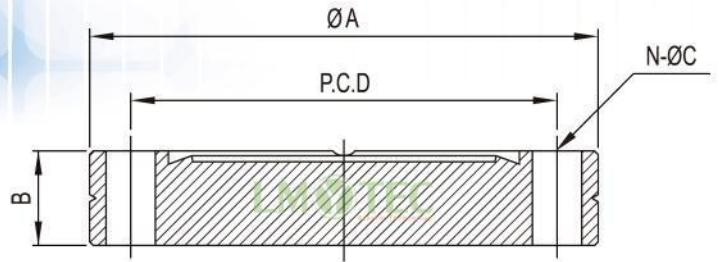
Email : service@lmytec.com.tw
WEB : www.lmytec.com.tw

LIMO SYSTEM TECHNOLOGY CO., LTD.
立盟系統科技股份有限公司



CF Blank Flange Fixed Series

Material : S.S 304



LMYTEC reserve the right to change the specification without notice

Unit:mm

	Size	Model No.	Ø A	B	P.C.D	N-ØC
Fixed Thru hole	CF 1.33"	PMCF1.33	34	7.6	27	6-4.3
	CF 2.75"	PMCF2.75	70	13	58.7	6-6.8
	CF 4.5"	PMCF4.5	114	17.5	92.1	8-8.4
	CF 6"	PMCF6	152	20	130.2	16-8.4
	CF 8"	PMCF8	203	22	181.2	20-8.4
	CF 10"	PMCF10	254	24.5	231.9	24-8.4
Fixed Tapped hole	CF 1.33"	PMCF1.33T	34	7.6	27	6-M4
	CF 2.75"	PMCF2.75T	70	13	58.7	6-M6
	CF 4.5"	PMCF4.5T	114	17.5	92.1	8-M8
	CF 6"	PMCF6T	152	20	130.2	16-M8
	CF 8"	PMCF8T	203	22	181.2	20-M8
	CF 10"	PMCF10T	254	24.5	231.9	24-M8

Vacuum Flange

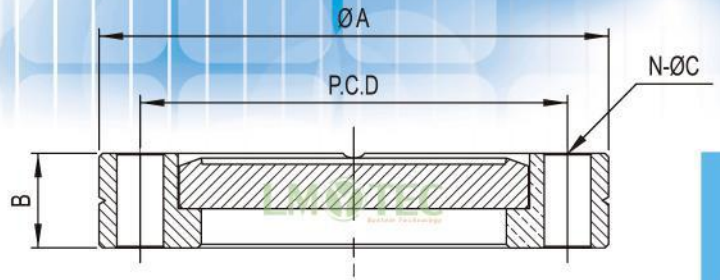
LIMO SYSTEM TECHNOLOGY CO., LTD.





CF Blank Flange Rotatable Series

Material : S.S 304



LMYTEC reserve the right to change the specification without notice

Unit:mm

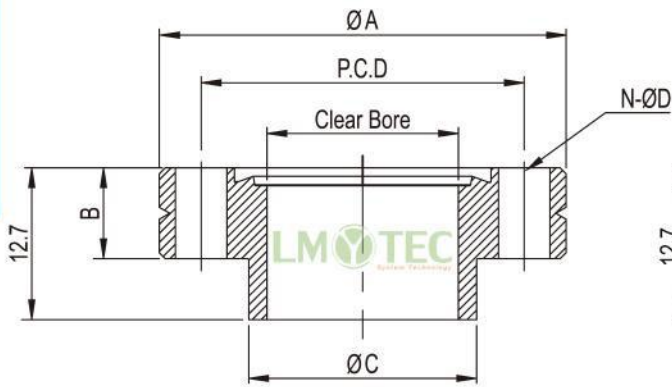
	Size	Model No.	ØA	B	P.C.D	N-ØC
Rotatable Thru hole	CF 1.33"	PMCFR1.33	34	7.6	27	6-4.3
	CF 2.75"	PMCFR2.75	70	13	58.7	6-6.8
	CF 4.5"	PMCFR4.5	114	17.5	92.1	8-8.4
	CF 6"	PMCFR6	152	20	130.2	16-8.4
	CF 8"	PMCFR8	203	22	181.2	20-8.4
	CF 10"	PMCFR10	254	24.5	231.9	24-8.4
Rotatable Tapped hole	CF 1.33"	PMCFR1.33T	34	7.6	27	6-M4
	CF 2.75"	PMCFR2.75T	70	13	58.7	6-M6
	CF 4.5"	PMCFR4.5T	114	17.5	92.1	8-M8
	CF 6"	PMCFR6T	152	20	130.2	16-M8
	CF 8"	PMCFR8T	203	22	181.2	20-M8
	CF 10"	PMCFR10T	254	24.5	231.9	24-M8



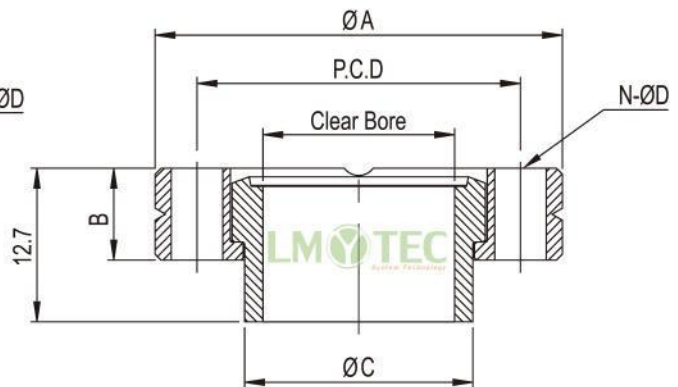


CF NS Bored Flange Series

Material : S.S 304



Fixed



Rotatable

LIMYTEC reserve the right to change the specification without notice

Unit:mm

	Size	Model No.	Ø A	B	Clear Bore	P.C.D	Ø C	N-ØD
Fixed Thru hole		PMCF7NS	34	7.6	4.5	27	6.35	6-4.3
	CF 1.33"	PMCF12NS	34	7.6	9.5	27	12.7	6-4.3
		PMCF19NS	34	7.6	16	27	19.05	6-4.3
Fixed Tapped hole		PMCF7NST	34	7.6	4.5	27	6.35	6-M4
	CF 1.33"	PMCF12NST	34	7.6	9.5	27	12.7	6-M4
		PMCF19NST	34	7.6	16	27	19.05	6-M4
Rotatable Thru hole		PMCFR7NS	34	7.6	4.5	27	6.35	6-4.3
	CF 1.33"	PMCFR12NS	34	7.6	9.5	27	12.7	6-4.3
		PMCFR19NS	34	7.6	16	27	19.05	6-4.3
Rotatable Tapped hole		PMCFR7NST	34	7.6	4.5	27	6.35	6-M4
	CF 1.33"	PMCFR12NST	34	7.6	9.5	27	12.7	6-M4
		PMCFR19NST	34	7.6	16	27	19.05	6-M4

Vacuum Flange

LIMO SYSTEM TECHNOLOGY CO., LTD.

