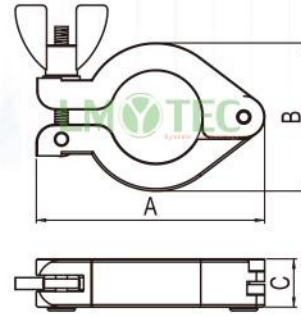




Clamp Hinged Series

Material : Aluminum(Clamp)
S.S 304(Bolt)



LYMOTEC reserve the right to change the specification without notice

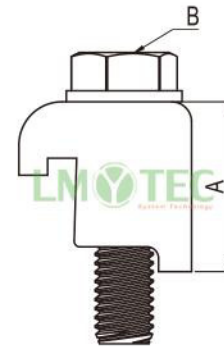
Unit:mm

Fit Flange Size	Model No.	A	B	C
KF16	PMHC16	63	42.5	16
KF25	PMHC25	72	54	16
KF40	PMHC40	90	70	16
KF50	PMHC50	114	90	20



Clamp Single Series

Material : Aluminum(Clamp)
S.S 304(Bolt)



LYMOTEC reserve the right to change the specification without notice

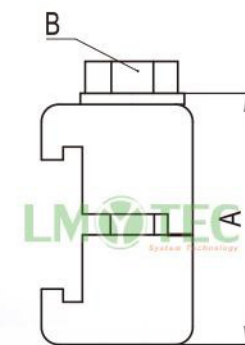
Unit:mm

Fit Flange Size	Model No.	A	B
ISO63→100	PMSC63	23.5	M8*35
ISO160→250	PMSC160	23.5	M10*35
ISO320→500	PMSC320	30	M12*50



Clamp Double Series

Material : Aluminum(Clamp)
S.S 304(Bolt)



LYMOTEC reserve the right to change the specification without notice

Unit:mm

Fit Flange Size	Model No.	A	B
ISO63→100	PMDC63	45	M8*45
ISO160→250	PMDC160	45	M10*45
ISO320→500	PMDC320	60	M12*60

Vacuum Flange

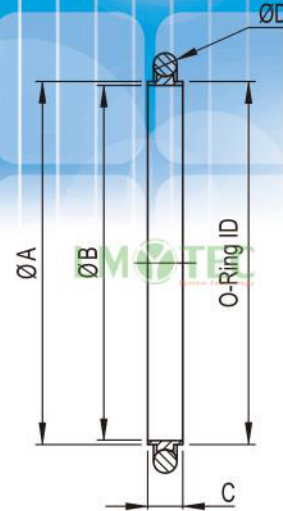
LIMO SYSTEM TECHNOLOGY CO., LTD.





Centering Ring Series (S)

Material : S.S304
VITON (O-RING)



LMYTEC reserve the right to change the specification without notice

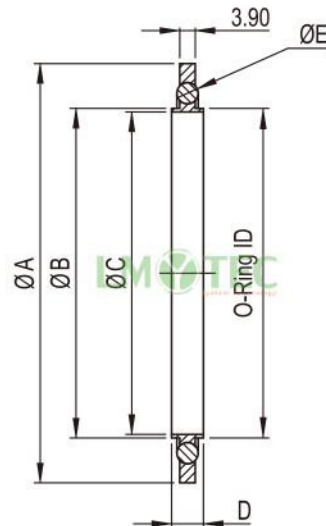
Unit:mm

Size	Model No.	Ø A	Ø B	C	Ø D	O-Ring ID
KF10	PMCTR10	12	10	8	φ 5.33	φ 13.64
KF16	PMCTR16	17	16	8	φ 5.33	φ 18.42
KF25	PMCTR25	26	25	8	φ 5.33	φ 27.94
KF40	PMCTR40	41	40	8	φ 5.33	φ 40.65
KF50	PMCTR50	52	50	8	φ 5.33	φ 53.34



Centering Ring Series (L)

Material : S.S304
VITON (O-RING)



LMYTEC reserve the right to change the specification without notice

Unit:mm

Size	Model No.	Ø A	Ø B	Ø C	D	Ø E	O-Ring ID
ISO63	PMCTR63	94	69.5	67	8	φ 5.33	φ 75.57
ISO80	PMCTR80	109	82.6	80	8	φ 5.33	φ 88.27
ISO100	PMCTR100	128	101.6	100	8	φ 5.33	φ 107.32
ISO160	PMCTR160	179	152.8	150	8	φ 5.33	φ 158.12
ISO200	PMCTR200	238	212.6	210	8	φ 5.33	φ 215.27

